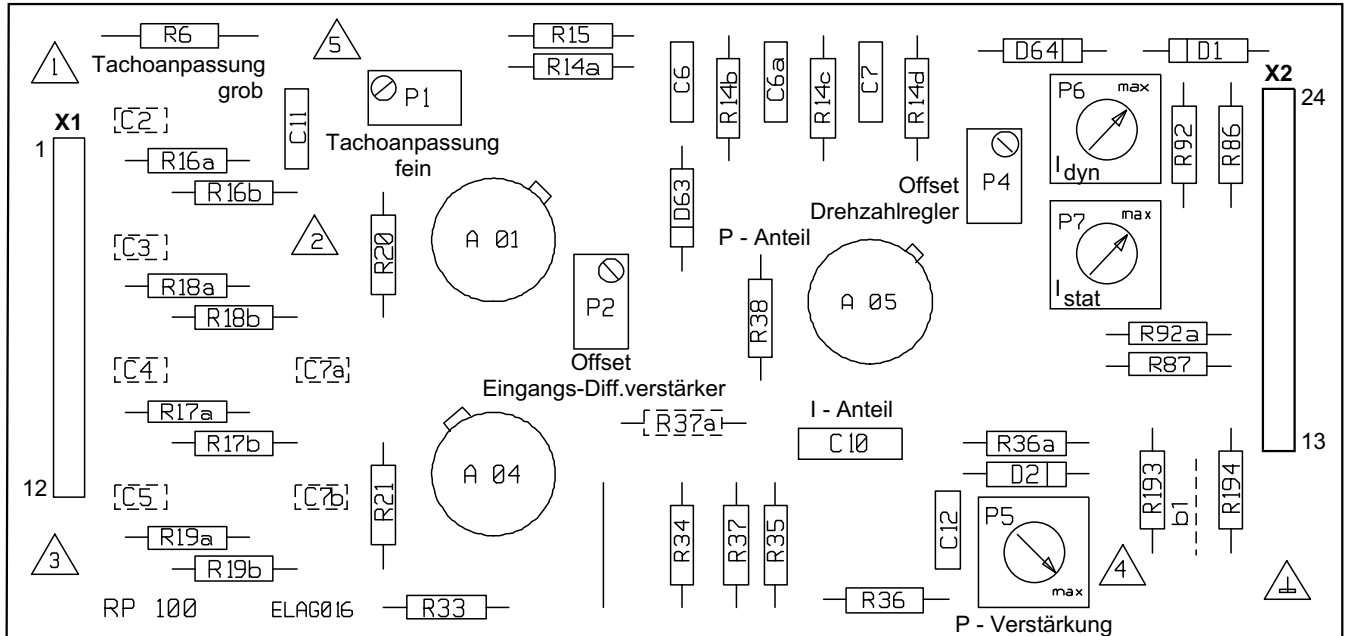
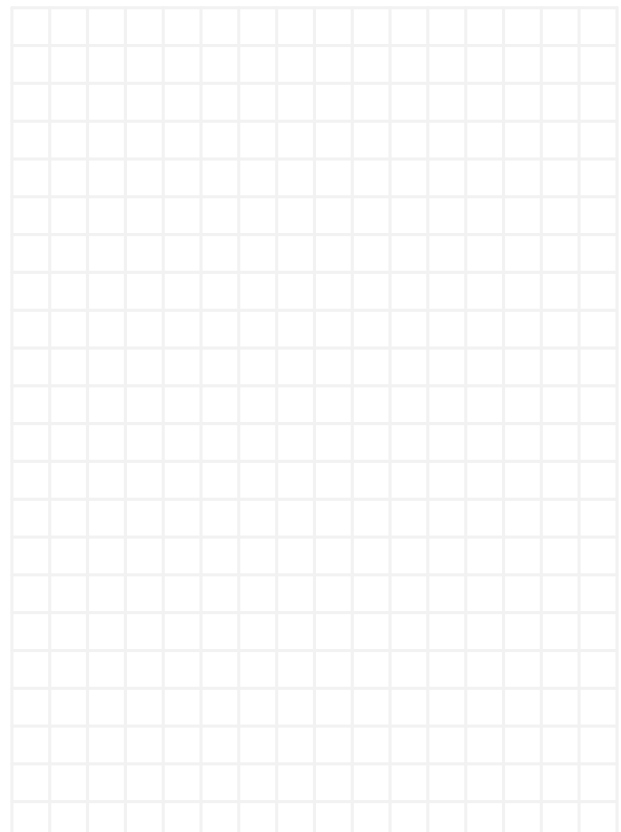


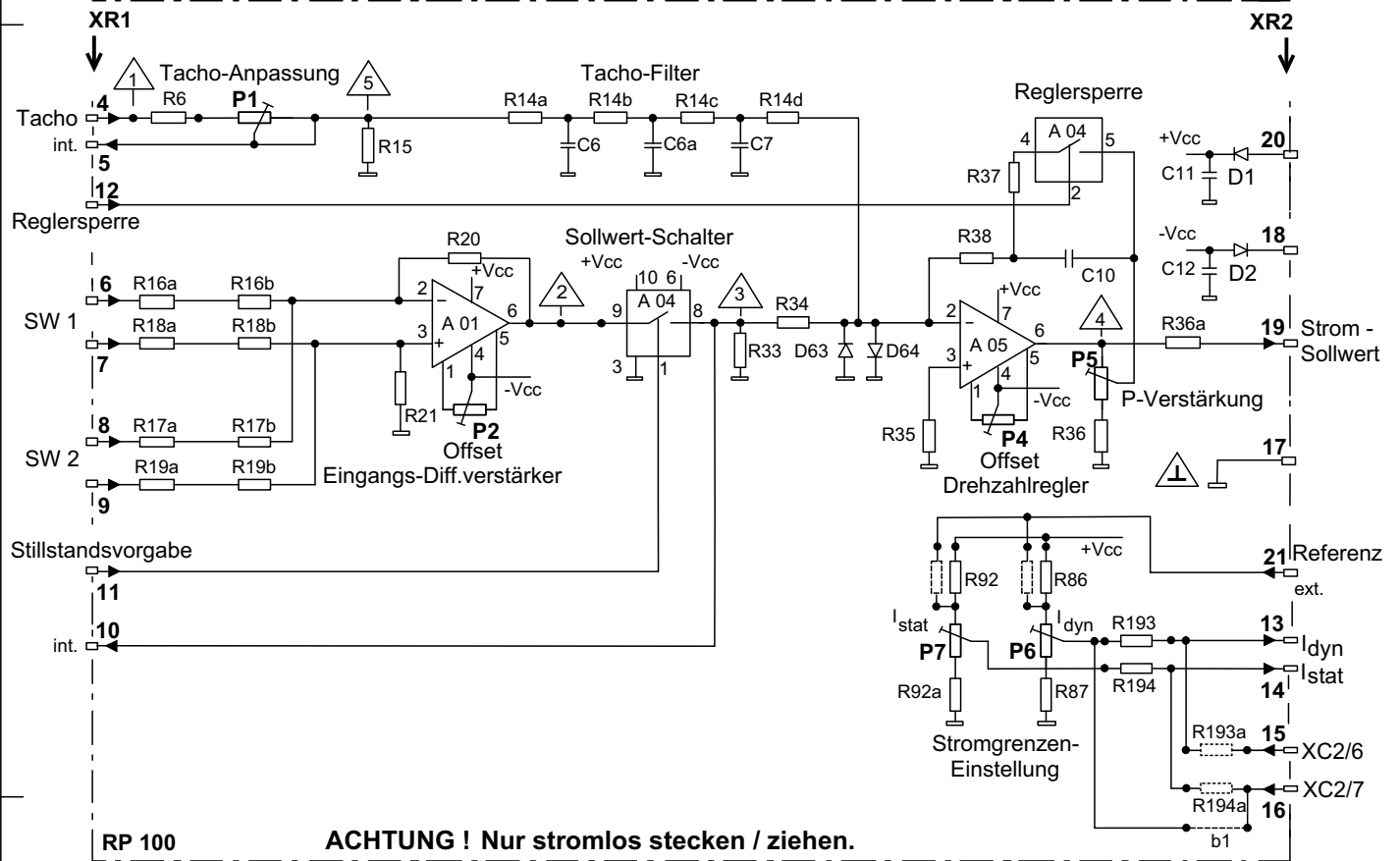
Achtung! Nur stromlos stecken / ziehen



A 01	µA 741 sel.	R 6	2k21	R 92	2k21
A 04	DG 200 BA	R 14a	10k	R 92a	68R1
A 05	µA 741 sel	R 14b	10k	R 193	953R
		R 14c	10k	R 194	1k1
D 1	1N4148	R 14d	9k09		
D 2	1N4148	R 15	18k2		
D 63	1N4148	R 16a	4k99		
D 64	1N4148	R 16b	4k99		
C 6	33 nF	R 17a	4k99		
C 6a	33 nF	R 17b	4k99		
C 7	33 nF	R 18a	4k99		
C 10	220nF	R 18b	4k99		
C 11	47nF	R 19a	4k99		
C 12	47nF	R 19b	4k99		
		R 20	10k		
		R 21	10k		
P 1	10k	R 33	2k21		
P 2	10k	R 34	39k2		
P 4	10k	R 35	27k4		
P 5	10k	R 36	332R		
P 6	1k	R 36a	100R		
P 7	1k	R 37	1k		
		R 38	221k		
		R 86	681R		
		R 87	332R		



9



4

Notizen

3

2

1

0

A | B | C | D